



# Dynalite Phase-Cut Dimmers

## DLE1205

12 channel Leading Edge Dimmer Controller with a maximum load per channel of 5 A.

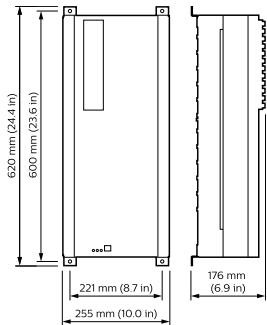
The Philips Dynalite DLE1205 is a 12 channel leading edge dimmer controller with a maximum load per channel of 5 A. - It is suitable for use with incandescent and neon light sources, as well as iron core and leading edge electronic transformers. - Fully rated device  
Interference suppression  
Naturally ventilated  
Soft start and voltage regulation technologies  
Diagnostic functionality  
User controls  
Options available

### Product data

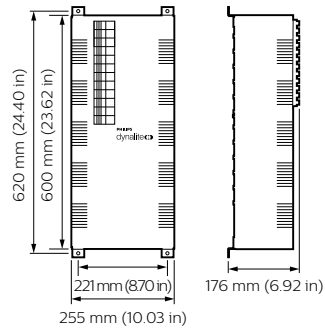
General Information		Order product name	DLE1205
CE mark	CE mark	EAN/UPC - Product	8710163505428
Remarks	Please download the Lighting - Product Data Sheet for more information and ordering options	Order code	913703010009
RoHS mark	RoHS mark	Numerator - Quantity Per Pack	1
		Numerator - Packs per outer box	1
		Material Nr. (12NC)	913703010009
		Net Weight (Piece)	13.200 kg
Application Conditions			
Ambient temperature range	0 to +40 °C		
Product Data			
Full product code	871016350542800		

# Dynalite Phase-Cut Dimmers

## Dimensional drawing



Dynalite Leading Edge Dimmers



Dynalite Leading Edge Dimmers

